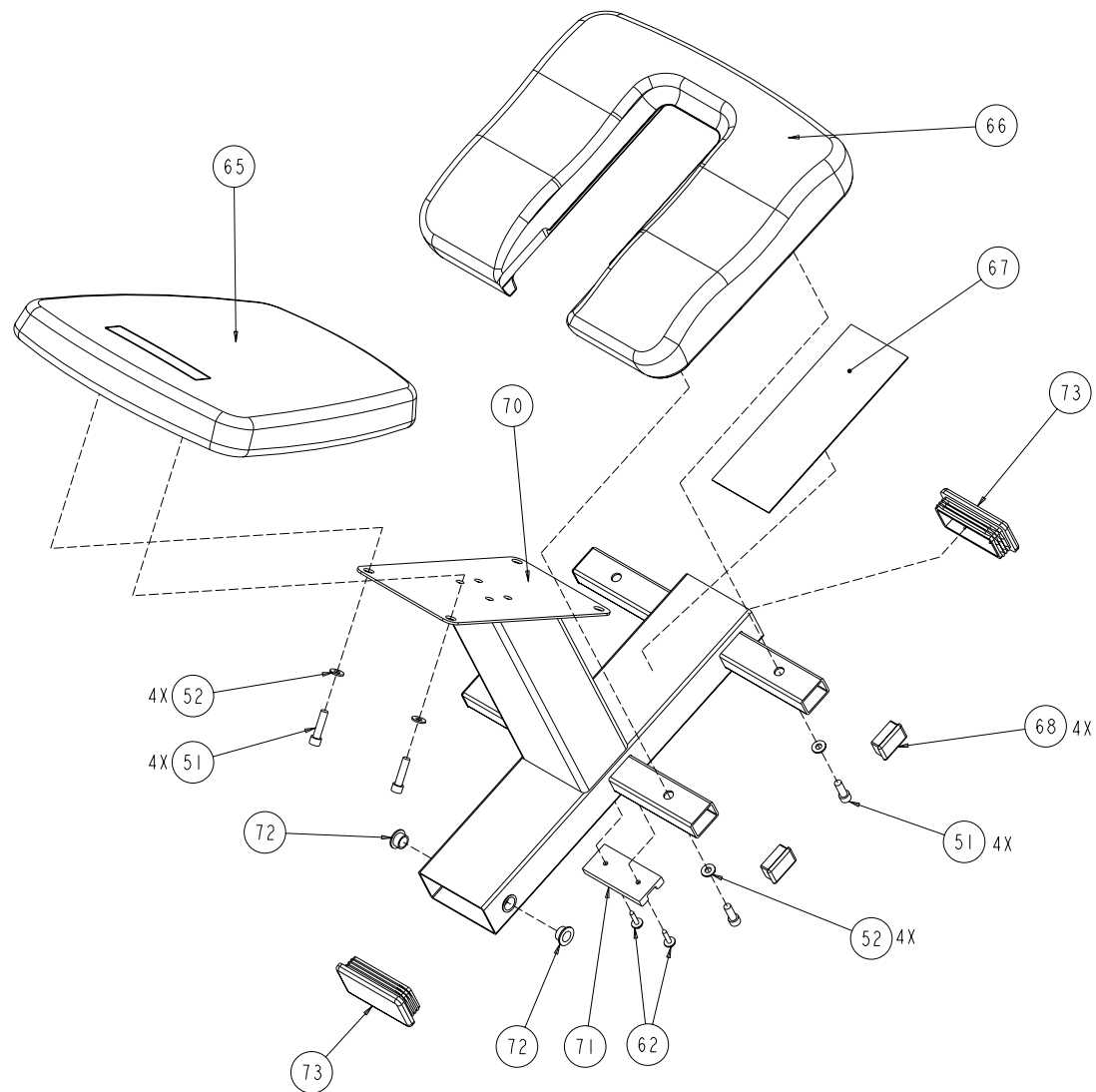


C240 STRETCH TRAINER	P/N: 38873-101	REV: C
DRAWN BY: M.HAMILTON	DATE: 11.9.99	SHEET 1 OF 2



C240 STRETCH TRAINER	P/N: 38873-101	REV: C
DRAWN BY: M.HAMILTON	DATE: 11.9.99	SHEET 2 OF 2

**C240 (version 1) (serial code 3Z)**

<b>Part Number</b>	<b>Description</b>	<b>Bubble Number</b>
50556-103	KIT, PLACARD, C240 VER 1	50
WBRN031-007	WASHER, 5/16 X .688 X .065, SIL ZN	52
WALRN031-008	WASHER, 5/16 SPLIT LOCK, ZINC	53
44920-102	STRAP, WRIST, 240, SPACE BLUE	55
44926-103	ASSY, HANDLEBAR, BLACK (TAIWAN)	56
38840-102	DECAL,FRAME UPRIGHT,RIGHT,C240	57
38840-101	DECAL,FRAME UPRIGHT,LEFT,C240	58
43523-101	FRAME TUBE, LEFT,PTD	59
HCRN031-100	SCREW,HEX,GR5,5/16-18X1,SIL ZN	60
37535-101	FOOT, FIXED	61
PKCN019-050	SCREW,S/T,#10X1/2,WSHHXHD,ZN	62
43523-102	FRAME TUBE, RIGHT,PTD	63
WBNN025-007	WASHER, FLT, 1/4, ID=.281,	64
37687-204	SEAT,VINYL,C240	65
38008-103	KNEE PAD, C240	66
38865-101	LABEL,ARM,KNEE SUPPORT,240	67
CAKN031-500	SCREW,SKHD,5/16-18X5.0,BLK ZN,LK	69
38013-104	WELDMENT, SEAT SUPPORT	70
37692-101	PAD, ARM	71
10043-113	BEARING,FLANGE,OD=.62 ID=.5	72
WNRN034-008	WASHER, 5/16 X 1.00 X .080, SIL ZN	74
43532-101	BRACKET, ALIGNMENT, TUBE	78
EKKN025-025	SCREW,SET,1/4-20X1/4,KNRLDCUP,	79
38005-101	PEDAL	81
38015-101	SHAFT, PIVOT	82
38143-103	WELDMENT,PIVOT BRACKET	83
CARN031-125	SCREW,SKHD,5/16-18X1.25,SIL ZN	84
37534-102	FOOT, ADJUSTABLE	85
12179-101	CAP,RECT,PLASTIC,1.0 X 2.0	86
43533-101	BUMPER	87
44523-101	SEAT BUMPER BRACKET,PT,GRAY	88
10186-102	WRENCH, ALLEN, 1/4	200
44476-101	KIT, HARDWARE, C240	202
38866-106	KIT, LITERATURE, 240	999

**C240 (version 1) (serial code 3Z)**

<b>Part Number</b>	<b>Description</b>	<b>Bubble Number</b>
50556-103	KIT, PLACARD, C240 VER 1	50
WBRN031-007	WASHER, 5/16 X .688 X .065, SIL ZN	52
WALRN031-008	WASHER, 5/16 SPLIT LOCK, ZINC	53
44920-102	STRAP, WRIST, 240, SPACE BLUE	55
44926-103	ASSY, HANDLEBAR, BLACK (TAIWAN)	56
38840-102	DECAL,FRAME UPRIGHT,RIGHT,C240	57
38840-101	DECAL,FRAME UPRIGHT,LEFT,C240	58
43523-101	FRAME TUBE, LEFT,PTD	59
HCRN031-100	SCREW,HEX,GR5,5/16-18X1,SIL ZN	60
37535-101	FOOT, FIXED	61
PKCN019-050	SCREW,S/T,#10X1/2,WSHHXHD,ZN	62
43523-102	FRAME TUBE, RIGHT,PTD	63
WBNN025-007	WASHER, FLT, 1/4, ID=.281,	64
37687-204	SEAT,VINYL,C240	65
38008-103	KNEE PAD, C240	66
38865-101	LABEL,ARM,KNEE SUPPORT,240	67
CAKN031-500	SCREW,SKHD,5/16-18X5.0,BLK ZN,LK	69
38013-104	WELDMENT, SEAT SUPPORT	70
37692-101	PAD, ARM	71
10043-113	BEARING,FLANGE,OD=.62 ID=.5	72
WNRN034-008	WASHER, 5/16 X 1.00 X .080, SIL ZN	74
43532-101	BRACKET, ALIGNMENT, TUBE	78
EKKN025-025	SCREW,SET,1/4-20X1/4,KNRLDCUP,	79
38005-101	PEDAL	81
38015-101	SHAFT, PIVOT	82
38143-103	WELDMENT,PIVOT BRACKET	83
CARN031-125	SCREW,SKHD,5/16-18X1.25,SIL ZN	84
37534-102	FOOT, ADJUSTABLE	85
12179-101	CAP,RECT,PLASTIC,1.0 X 2.0	86
43533-101	BUMPER	87
44523-101	SEAT BUMPER BRACKET,PT,GRAY	88
10186-102	WRENCH, ALLEN, 1/4	200
44476-101	KIT, HARDWARE, C240	202
38866-106	KIT, LITERATURE, 240	999